



CBCS SCHEME

USN

--	--	--	--	--	--	--	--	--	--

15CV52

Fifth Semester B.E. Degree Examination, Dec.2018/Jan.2019 Analysis of Indeterminate Structures

Time: 3 hrs.

Max. Marks: 80

Note: Answer any FIVE full questions, choosing ONE full question from each module.

Module-1

- 1 Analyze the continuous beam shown in Fig.Q.1 by slope deflection method and draw BMD. (16 Marks)

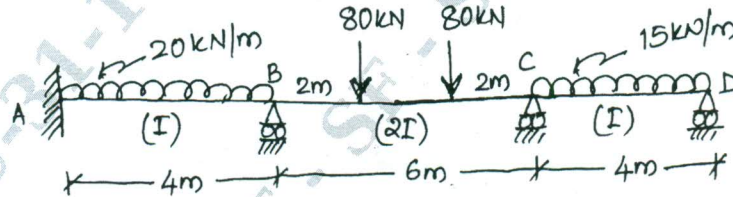


Fig.Q.1

OR

- 2 Analyze the rigid frame shown in Fig.Q.2 by slope deflection method and draw BMD. (16 Marks)

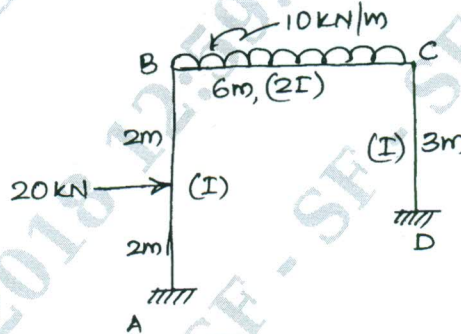


Fig.Q.2

Module-2

- 3 Analyze and draw BMD for the continuous beam shown in Fig.Q.3 by moment distribution method if support 'B' sinks by 30mm and support 'C' sinks by 20mm. Take $EI = 24,000 \text{ kNm}^2$. (16 Marks)

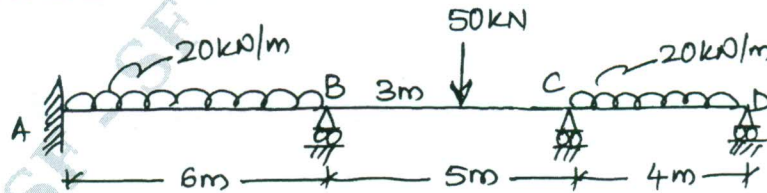


Fig.Q.3

Important Note : 1. On completing your answers, compulsorily draw diagonal cross lines on the remaining blank pages.
2. Any revealing of identification, appeal to evaluator and /or equations written eg. 42+8 = 50, will be treated as malpractice.



OR

- 4 Analyze the rigid frame shown in Fig.Q.4 by moment distribution method and draw BMD. (16 Marks)

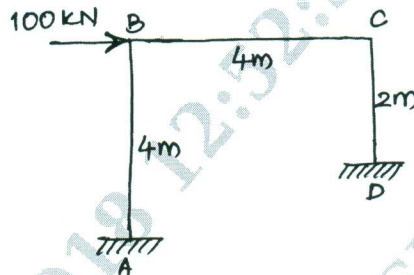


Fig.Q.4

Module-3

- 5 Analyze and draw BMD for the continuous beam shown in Fig.Q.5 by Kani's method, if support 'B' sinks by 10mm and $E = 2 \times 10^5 \text{ N/mm}^2$, $I = 1.2 \times 10^4 \text{ m}^4$. (16 Marks)

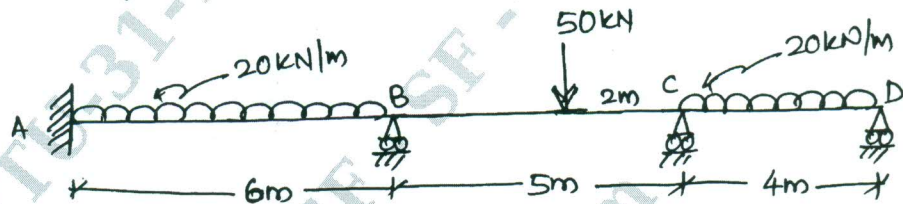


Fig.Q.5

OR

- 6 Analyze the rigid frame shown in Fig.Q.6 by Kani's method and draw BMD. (16 Marks)

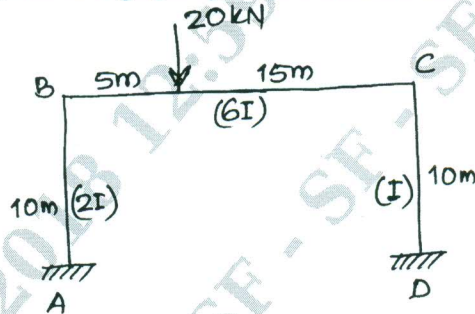


Fig.Q.6

Module-4

- 7 Analyze the continuous beam shown in Fig.Q.7 by matrix flexibility method using system approach and draw BMD. Take moments as redundants. (16 Marks)

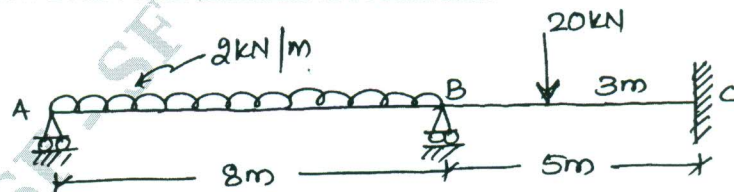


Fig.Q.7

OR

- 8 Analyze the pin-jointed truss shown in Fig.Q.8 by matrix flexibility method of system approach and determine forces in all the members. Take force in member 'OA' as redundant. (16 Marks)

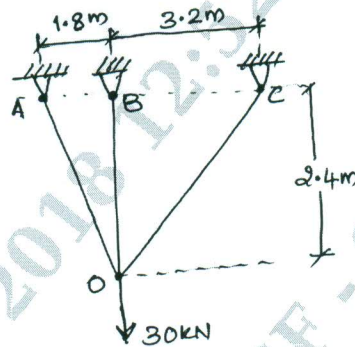


Fig.Q.8

Module-5

- 9 Analyze the rigid frame shown in Fig.Q.9 by matrix stiffness method and draw BMD. (16 Marks)

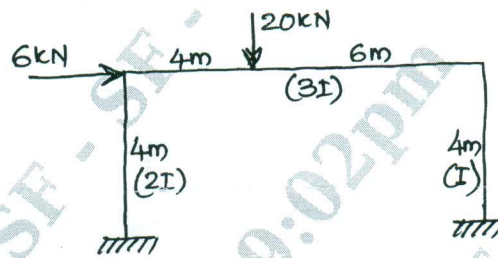


Fig.Q.9

OR

- 10 Analyze the pinjointed frame shown in Fig.Q.10 by matrix stiffness method and find forces in all the members. The numbers in parentheses are the C/S areas of members in sqmm. (Take E = constant). (16 Marks)

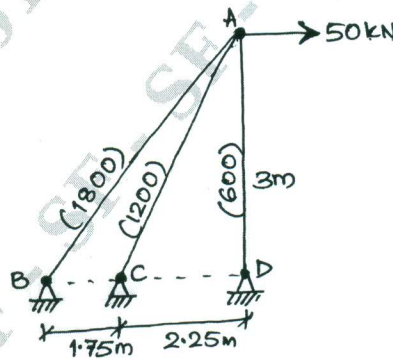


Fig.Q.10
